

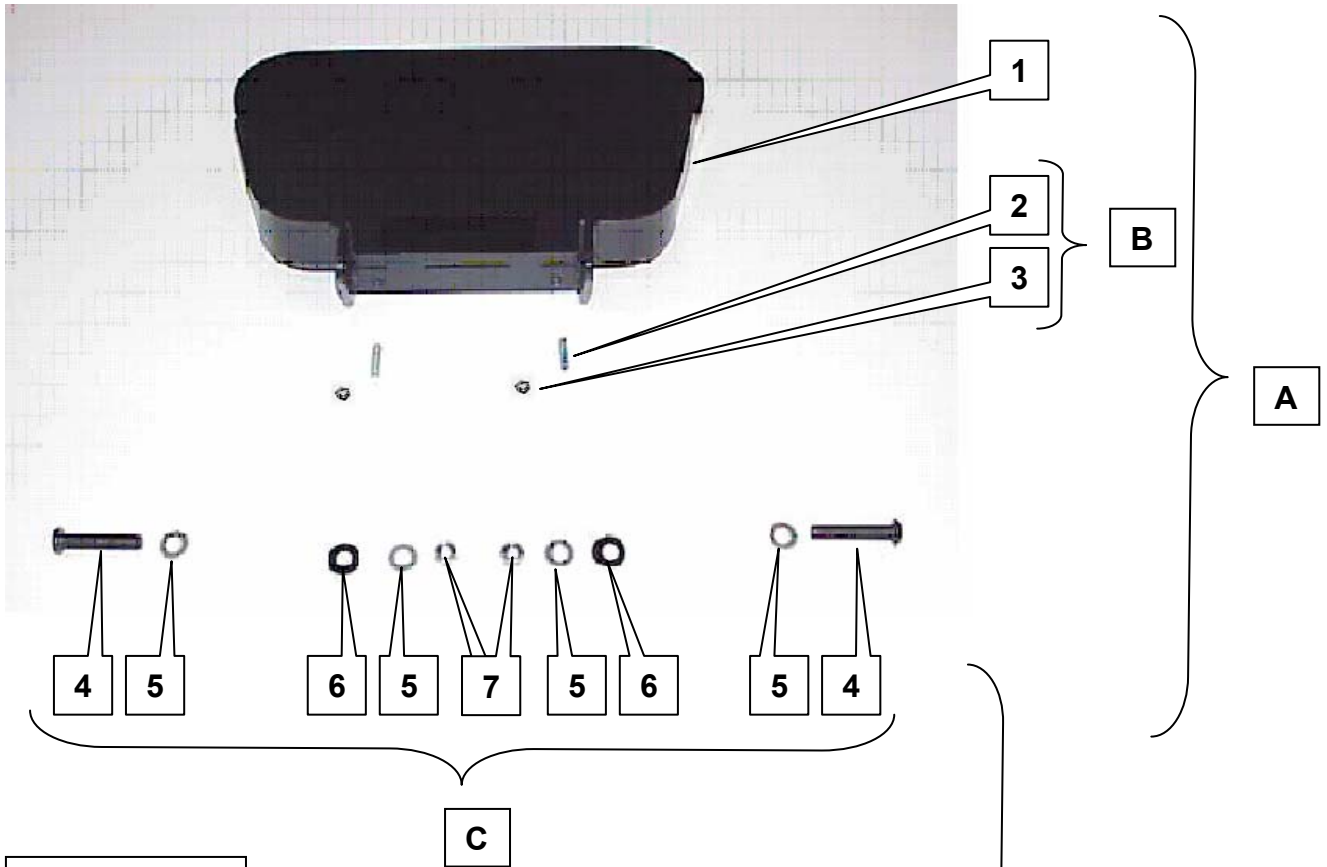
LEVO *combi*

Part list number: Combi 11

Set Description:
Chair number: 920 000
Date issue: 30.01.2004

Fussauflage (Standard und Option)
Footrest (standard and option)
Repose-pieds (standard et option)
Appoggiapiedi (standard i opzione)

Standard



Option / opzione

