

LEVO C³

Another innovative design from LEVO – combining world renowned standing functions with a unique auto adjustable traction power base

LEVO C³



LEVO stands for a better quality of life

LEVO[®].dt⁺
THE EXPERTS IN STANDING

At eye level with life

This is LEVO: The touch of a switch elevates you to a safe, comfortable standing position to interact with your active life. At work, in school or at home, LEVO standing wheelchairs, offer exactly what you need: Independence, Mobility, Support, Health and Quality.

Each wheelchair is designed from the experience of more than 30 years of research, development and client response. LEVO is proud to offer wheelchairs that combine seating and standing positions matched to your unique biomechanical dynamics with superior maneuverability, size, weight, aesthetics and adjustability. All models are reviewed and certified by internationally approved testing institutes.



LEVO C³

Active, traction, innovative – quality

The powered LEVO C³ is compact, agile, easy to handle and extremely powerful – perfect for active people on the move. Curbs part of your daily commute? No problem with the LEVO C³ drive system that turns a maneuverable mid-wheel base into a powerful, climbing 4 wheel drive action base. For classroom, work or home, you also have the tight turning radius and agile maneuverability of a mid-wheel base. The LEVO C³ incorporates a new generation advancement in the famous LEVO low shearing standing systems. Incredibly smooth transition to standing including the automatic wheel base adjustment. Now you have a front wheel drive base for unparalleled driving stability and response in the standing position. The latest innovation from LEVO, the experts in standing!



Power base

- 4WD: four powered wheels for superior traction and agility
- Crawls over curbs up to 10 cm
- Climbs ramps easily up to 15°/33 %
- Off road/rough surface traction capability
- Multiple programming options for maximum choice
- Solid, secure and safe brake action

Seating / Standing

- Automatic lengthening/matching the extension of the back and legs during transition to standing and seating. «Low shearing system»
- Engineered chairs and biomechanics in all seating and standing positions
- Low seat height for transfer and driving under tables
- Easy adjustment to individual body measurements
- Numerous health benefits due to more frequent standing

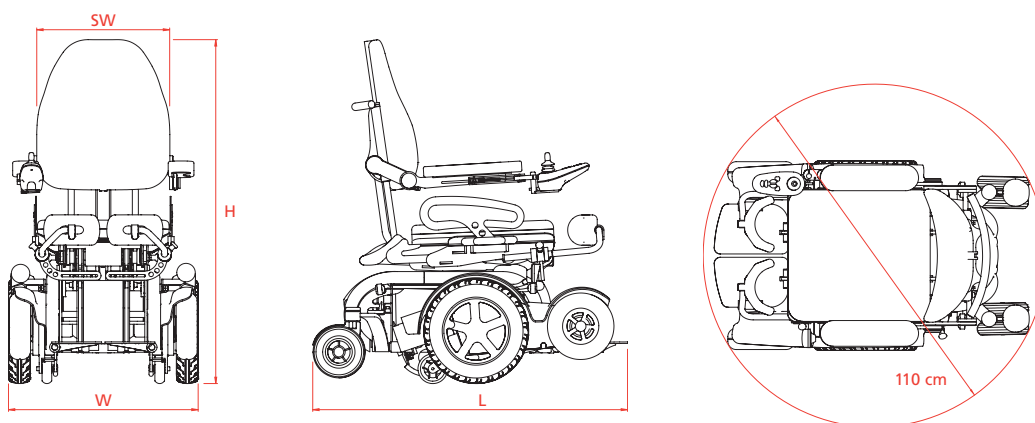


Power over curbs with the innovative LEVO C³

LEVO Stands for a better quality of life

Highlights

- User-friendly, simple handling
- Maximum safety in all positions
- Compact maneuverability for tight spaces (turning circle 110 cm)
- Small dimension, compact transport volume
- High battery capacity: range up to 25 km, optional up to 35 km
- Individually and manually adjustable for upper and lower leg, foot position and back angle
- Seat width 32 up to 52 cm
- User weight up to 140 kg
- Easy accessibility for maintenance and service updates



Technical Data

Model	S – XL
Seat width (SW)	32/36/40/44/48/52
Total width (W)	63
Total length (L)	105
Total height (incl. V-Trak 41 cm) (H)	100
Seat height (w/o seat cushion)	46
Seat plate depth	35 – 63
Arm rest height	15 – 36
Turning circle	110
Speed	6/8/10 km/h
Range (with 55Ah Batteries)	25 km
Manageable gradient	15° (33 %)
Curb climbing ability	10
Max. chair weight	185 kg
Max. user weight	140 kg
Transport volume max.	96 x 63 x 69

All measurements in cm and kg.
Discrepancies in the measurements may arise due to wheelchair modifications.

Standard configuration

E/E Wheelchair with 4 active wheels and «Low shearing system», seat support plate, quick release for seat depth, lower leg length and back angle, seat height 46 cm, V-Trak Axxis back, flip-up armrests (adjustable for height, angle and width), VR2 control system of PG-Drives Technology with 55 Ah batteries, flip-up footrest to the side and backwards with non slip surface, knee support removable (adjustable in height, depth, angle and width), vehicle tie-down locations

Options / Accessories

Knee support integrated, Tilt in Space 0-35°, Swing away joystick, Foam cushion with cover, swing away table tray, upper leg support, chest role, Lights and indicators, ... many more on request

Colors

4 standard colors (blue, red, yellow, black) and 190 other color options

Distributor:

Manufactured by:

LEVO AG
Switzerland

Anglikerstrasse 20
CH-5610 Wohlen

Tel. +41 (0)56 618 44 11
Fax +41 (0)56 618 44 10

office@levo.ch
www.levo.ch

LEVO.dt
A Dane Technologies Company