

# LEVO combi Jr

The Mid-Wheel power wheelchair with stand-up function and complete seating systems for junior sizes

LEVO combi Jr



LEVO stands for a better quality of life

**LEVO**.of<sup>+</sup>  
THE EXPERTS IN STANDING

# Even our children can stand like giants



## simply attend to...

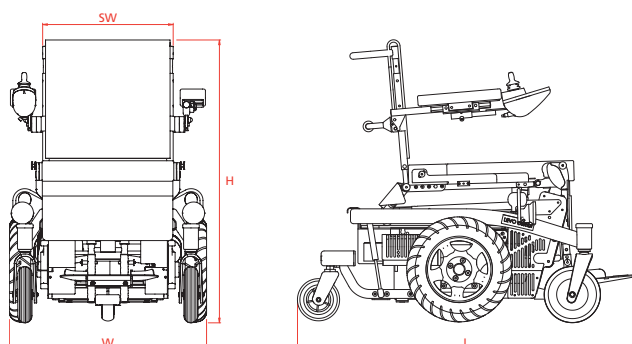
The powered LEVO combi Jr means secure and active support for your child. The extremely agile power wheelchair optimizes participation into all of your child's opportunities and activities. School – Home – Play. Like the adult version, the LEVO combi Jr has multiple power seating systems including the LEVO designed and industry leading standing capability. (Your child can drive the LEVO combi Jr even while in the standing position.) Easy adjustable growth plates, components and a wide range of accessories and options let the LEVO combi Jr smoothly grow with your child for many years.



# LEVO Stands for a better quality of life

## Highlights

- User-friendly, simple handling
- Smooth seat/standing positioning movement
- Compact maneuverability for tight spaces (turning circle 110 cm)
- Safe and secure stand-up operation elevating to any and all angles between sitting and 85° standing
- Adjustable for upper and lower leg, foot position and back angle
- Max. user weight up to 120 kg
- Wide range and style of options, accessories and control switches
- Multiple color options
- Easy accessibility for maintenance and service updates
- Certificates: TÜV, CERAH, HI, FDA/510(k), Crash Test



## Technical Data

Model	combi		combi/Jr
	S-M	L-XL	XS-S
Seat width (SW)	38/44/50		30/35/38
Total width (W)	66		66
Total length (L)	110		110
Total height (incl. Backrest upholstery) (H)	89-104		89-104
Seat height (with seat cushion)	56-71		56-71
Seat upholstery depth	29-42	40-53	24-31
Armrest height (from top of cushion)	17-25		15-33
Back height (with standard backrest upholstery)	43		43
Foot rest height (from top of cushion)	37-58		23-47
Turning circle	110		110
Speed	6/8/10 km/h		6/8 km/h
Range	35 km		35 km
Max. gradient	12° (25 %)		12° (25 %)
Curb climbing ability	8		8
Max. chair weight	170 kg		170 kg
Max. user weight	120 kg		120 kg
Transport dimension	93 x 66 x 67		93 x 66 x 67

All measurements in cm and kg. Discrepancies in the measurements may arise due to wheelchair modifications.

## Standard Configuration

Backrest upholstery  
 Flip-up armrests, height adjustable  
 Flip-up footrest  
 Knee support and chest strap  
 Length adjustment backrest and height adjustment armrest  
 Manual seat height adjustment  
 Powered stand-up function  
 Powered driving in sitting and standing  
 Powered lying-standing direct function if option reclining included  
 Set of batteries and charger  
 PGDT controller (P+/R-net)

## Options/Accessories

Swing away joystick  
 Lights and indicators  
 V-Trak back system  
 V-Trak head and thoracic support  
 Powered seat lift 15 cm  
 Powered reclining backrest / legrest 90-180°  
 Foam seat cushion 6 cm  
 Assorted knee supports and footrest wedges  
 Chest role  
 Table tray  
 Skirt guard  
 Vehicle tie-down kit  
 Push handle bar  
 ... many more on request

## Colors

5 standard colors (blue, red, yellow, platinum, black) and 190 other color options

Distributor:

Manufactured by:

LEVO AG  
Switzerland

Anglikerstrasse 20  
CH-5610 Wohlen

Tel. +41 (0)56 618 44 11  
Fax +41 (0)56 618 44 10

office@levo.ch  
www.levo.ch

**LEVO**.dt  
A Dane Technologies Company