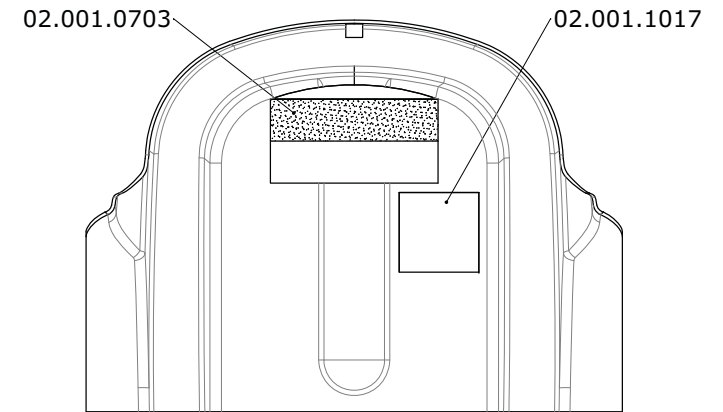
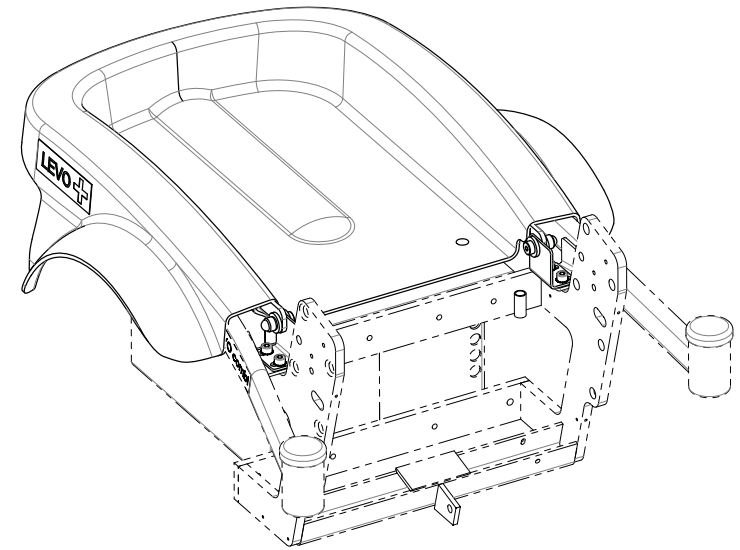
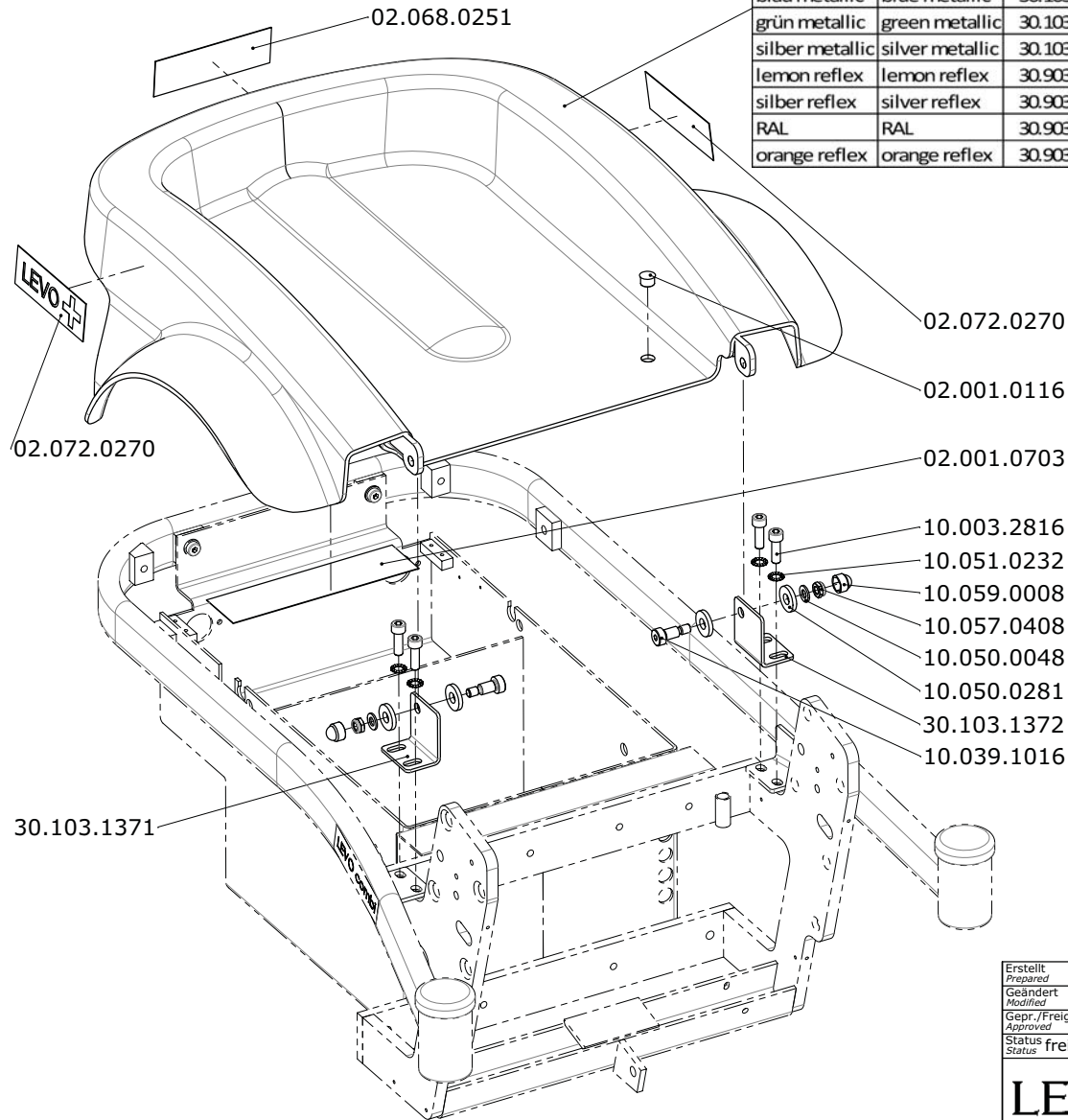


Farbe	Color	Art.-Nr. article no.
schwarz	black	30.103.1381
rot	red	30.103.1382
blau	blue	30.103.1383
gelb	yellow	30.103.1384
rot metallic	red metallic	30.103.1385
blau metallic	blue metallic	30.103.1386
grün metallic	green metallic	30.103.1387
silber metallic	silver metallic	30.103.1388
lemon reflex	lemon reflex	30.903.1381
silber reflex	silver reflex	30.903.1382
RAL	RAL	30.903.1383
orange reflex	orange reflex	30.903.1384



Erstellt Prepared	09.11.2011 PW	Benennung / Description	
Geändert Modified	12.06.2014 PW	Abdeckung ab Jan. 2012 Cover since Jan. 2012	
Gepr./Freig. Approved	12.06.2014 TF		
Status	freigegeben/approved		
LEVO THE EXPERTS IN STANDING	LEVO AG CH-5610 Wohlen www.levo.ch	Rollstuhl Wheelchair	Blatt / Anz. Sheet / no. of 1 / 1 Index / Rev. C
		Combi	Artikelnummer Art. no. 50.068.0230