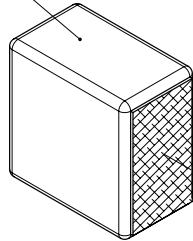
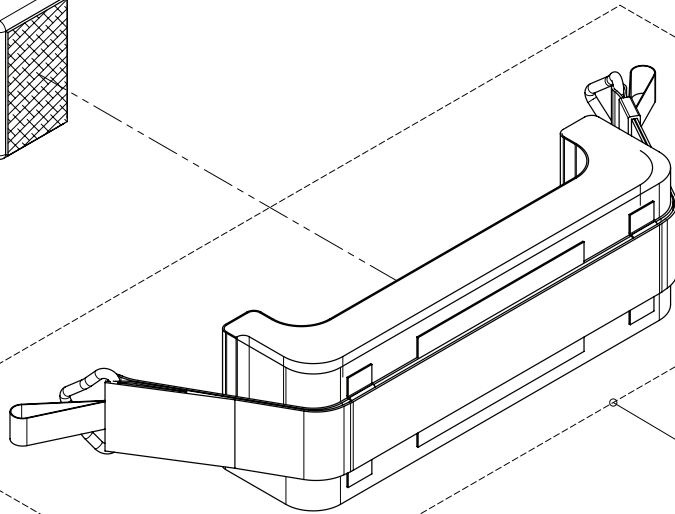
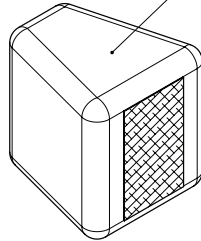


Dimension	
50x100	30.101.5391
60x100	30.101.5392
80x100	30.101.5393
50x150	30.101.5394
80x150	30.101.5395



Dimension	
50-100x100	30.101.8221
90-140x100	30.101.8222
130-180x100	30.101.8223



Standard Kombination:
Standard combination:

Sitzbreite Seat width	Typ Type	Kniekeil Wedge
35	2	50x100
38 - 40	3	60x100
42	4	
45	5	
48	6	80x100

Sitzbreite Seat width	Typ Type	
35	2	30.101.5403
38 - 40	3	30.101.5405
42	4	30.101.5407
45	5	30.101.5408
48	6	30.901.5403

Erstellt Prepared	12.09.2007	PW	Benennung / Description Kniehalter Knee support	Artikelnummer Art. no.	Blatt / Anz. Sheet / no. of
Geändert Modified		-			
Gepr./Freig. Approved	30.04.2008	TN	LEVO AG CH-5610 Wohlen www.levo.ch	Rollstuhl Wheelchair	Index / Rev.
Status					
LEVO.d			LAE	50.069.1030	1 / 1
THE EXPERTS IN STANDING					